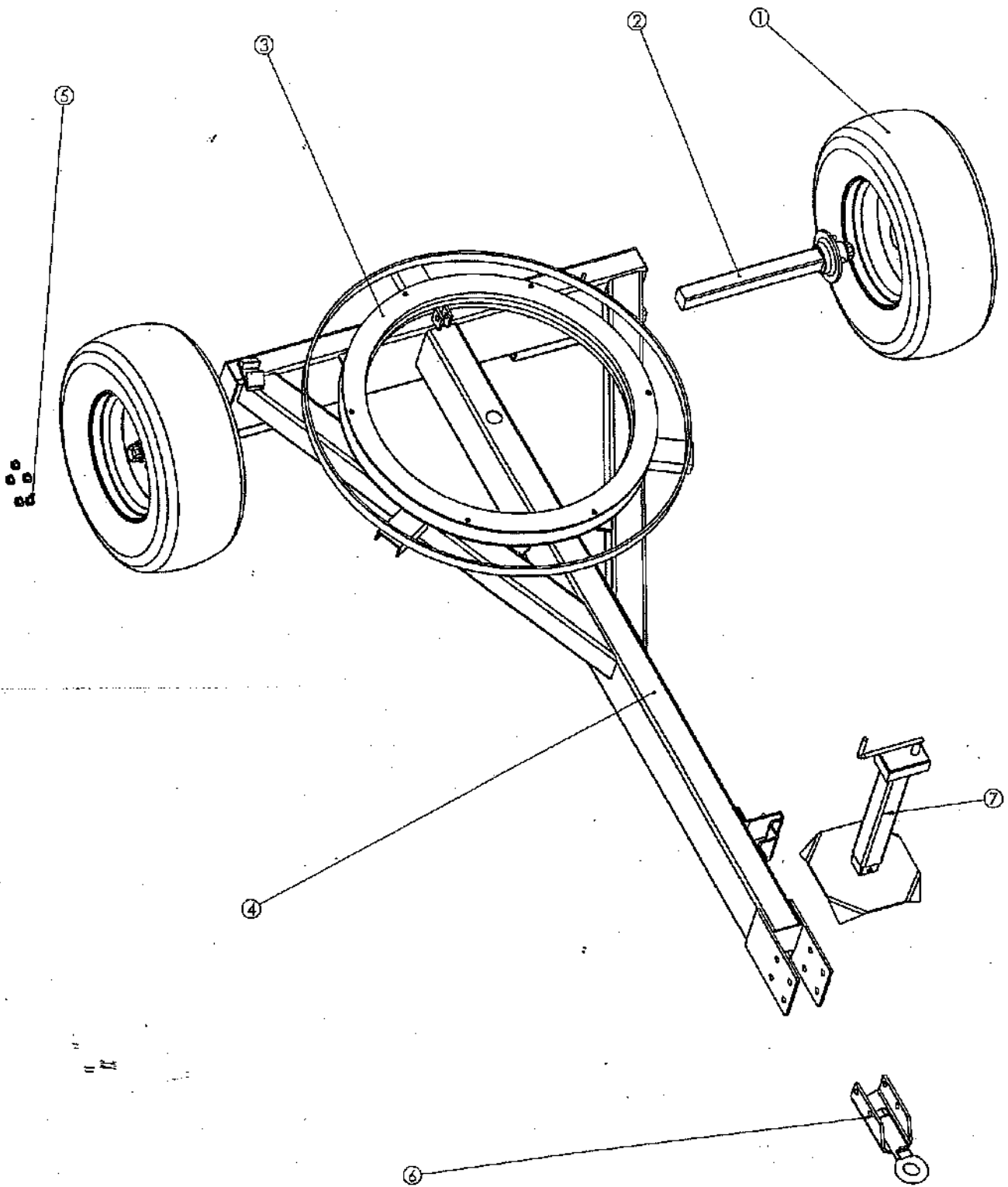


TRB - G

VUES ECLATEES ET NOMENCLATURES



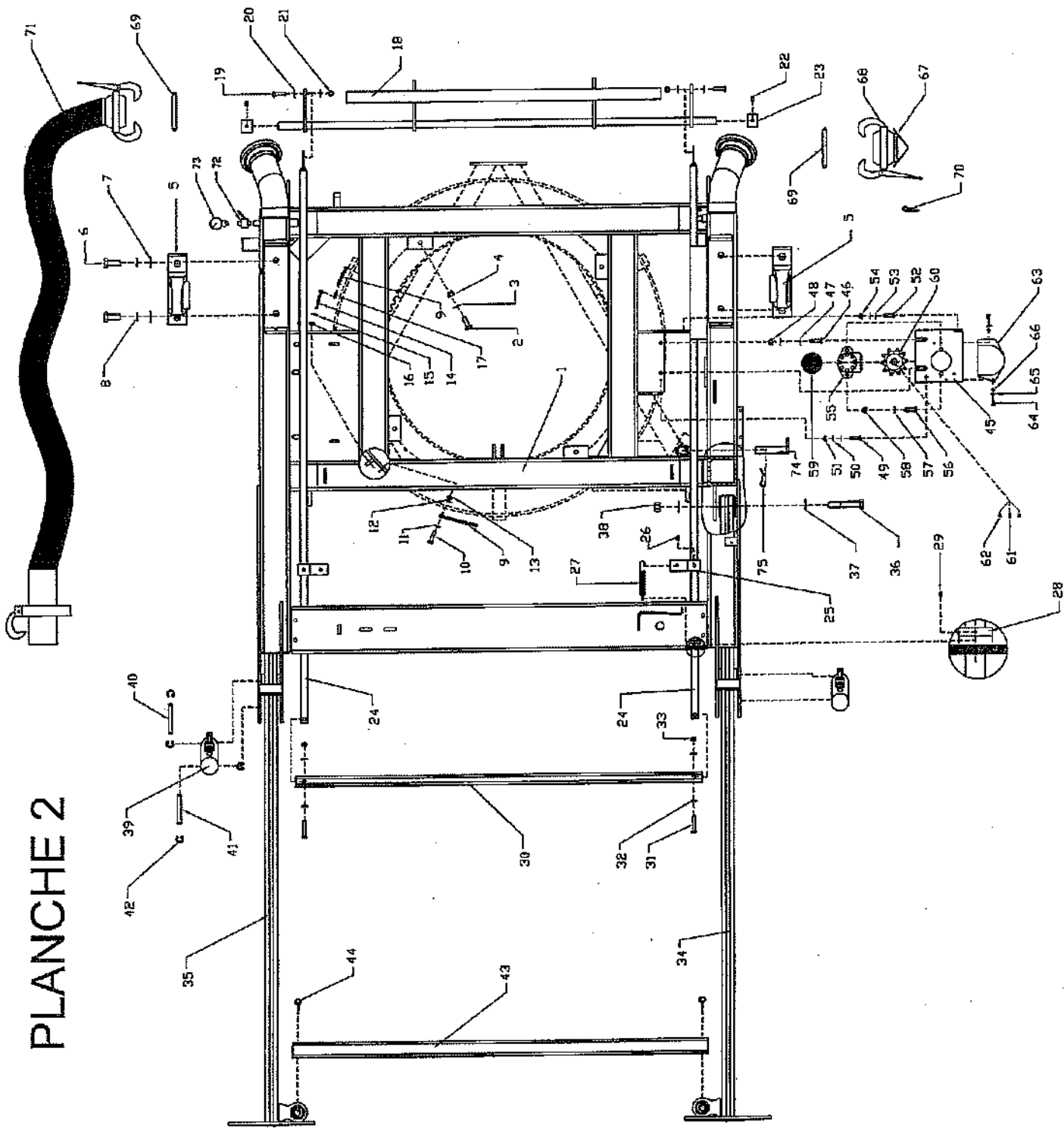
PLANCHE 1



PEROMAT SERIE TRB-G

| REPERE | DESIGNATION | REFERENCE |
|-----------|----------------------|----------------|
| PLANCHE 1 | | |
| 1 | ROUE 6 TROUS | 07RO1015612 |
| | ROUE 5 TROUS | 07RO1015512 |
| 2 | DEMI-ESSIEU 6 AXES | 06ES606550 |
| | DEMI-ESSIEU 5 AXES | 06ES605550 |
| 3 | ROND AVANT TRAIN | 07RTNU0900 |
| 4 | CHASSIS FIXE | 54TRB100 |
| 5 | ECROU DE GOUJON | 0DEC16 |
| 6 | ANNEAU ATTELAGE | 54TRB180 |
| 7 | BEQUILLE MANUELLE | 06BE010 |
| | BEQUILLE HYDRAULIQUE | NOUS CONSULTER |

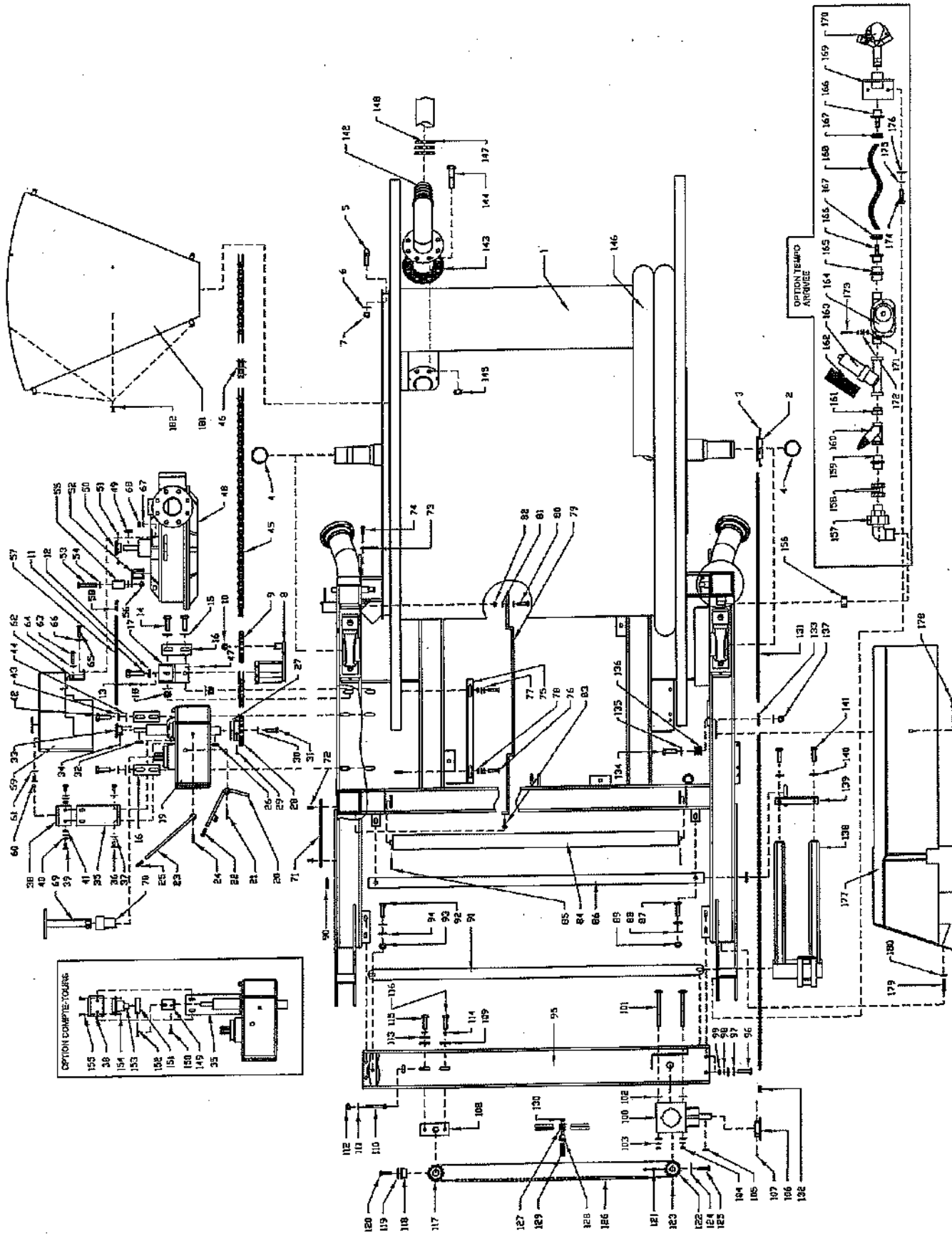
PLANCHE 2



PEROMAT SERIE TRB-G

| REPERE | DESIGNATION | REFERENCE |
|------------------|---|--------------|
| PLANCHE 2 | | |
| 5 | PALIER DE BOBINE | 07PAUCP214 |
| 9 | CHAINE ENTRAINEMENT ROTATION (AU METRE) | 08C31 |
| 17 | ATTACHE RAPIDE | 08MR31 |
| 18 | PALPEUR | 10DI410B |
| 23 | BAGUE POSITIONNEMENT | 10TOTR404131 |
| 24 | BARRE LATERALE | 10DI462B |
| 25 | BUTEE DE TENSION PORTILLON | 54TRZ060 |
| 27 | RESSORT DE TENSION | 07RESP40 |
| 28 | BAGUE | 10TRZ061 |
| 30 | BARRE ARRET | 49TRB461 |
| 34 | BECHE RELEVAGE DROITE NM | 54TR307005 |
| 35 | BECHE RELEVAGE GAUCHE NM | 54TR307000 |
| 39 | VERIN DE BECHE AVEC CLAPET | 07VEH3055CP |
| 40 | AXE TETE VERIN | 10TO702S |
| 41 | AXE PIED VERIN | 10TO701B |
| 43 | BARRE RELEVAGE NM | 54TR307030 |
| 55 | MOTEUR HYDRAULIQUE | 07MH200 |
| 60 | PIGNON ROTATION | 08P588 |
| 67 | BOUCHON ALIMENTATION | 0FB26089 |
| 68 | COLLIER | 0FB16089 |
| 73 | MANOMETRE | 07MAN060 |
| 74 | CHEVILLE VERROUILLAGE | 54TR408610 |

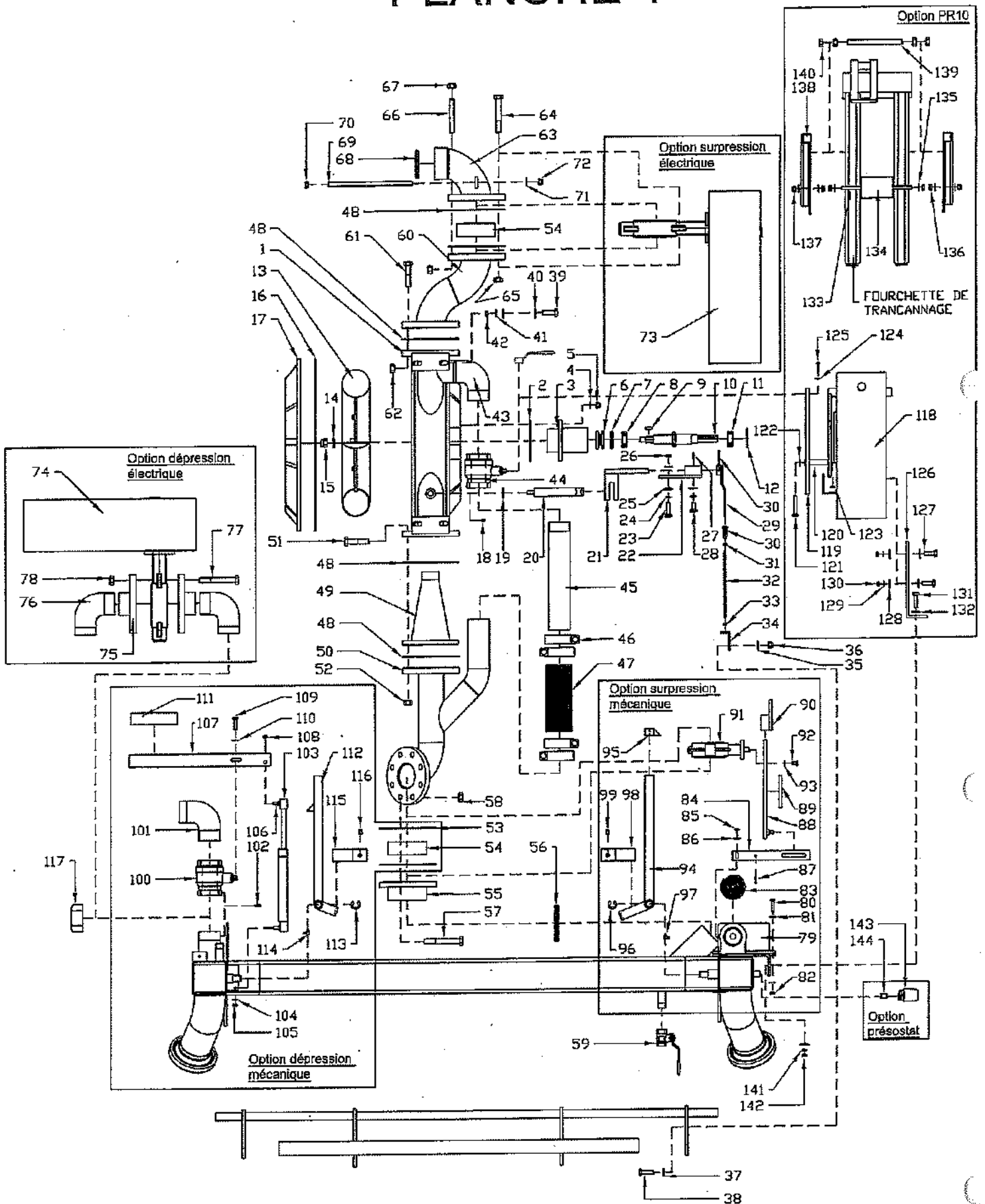
PLANCHE 3



PEROMAT SERIE TRB-G

| REPERE | DESIGNATION | REFERENCE |
|-----------|---------------------------------------|----------------|
| PLANCHE 3 | | |
| 2 | PIGNON BOBINE PET 90 22DTS | 08P540B22 |
| 2 | PIGNON BOBINE PET 100 24DTS | 08P540G24 |
| 5+6+7 | DENT ENTRAINEMENT COMPLETE | 55TO535 |
| 8 | TENDEUR | 54TRS425 |
| 9 | PIGNON TENDEUR | 08PT13 |
| 17 | SUPPORT TENDEUR | 54TRS420 |
| 19 | REDUCTEUR IB3/2 | PIECE DETACHEE |
| | REDUCTEUR D744 | 07RED744 |
| 28 | PIGNON SORTIE REDUCTEUR 11DTS AL40 | 08P530B |
| | PIGNON SORTIE REDUCTEUR 11DTS AL35 | 08P530C |
| 33 | PIGNON | 08P510B |
| 45 | CHAINE ENTRAINEMENT BOBINE (AU METRE) | 08C31 |
| 46 | ATTACHE RAPIDE | 08MR31 |
| 48 | TURBINE COMPLETE | 10TURB1 |
| 50 | PIGNON TURBINE 12DTS | 08P510B |
| 52 | TENDEUR | 08TSE15 |
| 55 | GALET | 10TO514Z |
| 57 | CHAINE TURBINE (AU METRE) | 08C15 |
| 58 | ATTACHE RAPIDE | 08MR15 |
| 59 | CAPOT TURBINE | 07CA010B |
| 69 | MANIVELLE PF | 10TRB040A |
| 70 | MANCHON | 10TRZ045 |
| 84 | ROULEAU | 07RX1160 |
| 86 | BARRE TRANSLATION INF, | 49TRB451 |
| 91 | BARRE TRANSLATION SUP, | 49TRB450 |
| 100 | BOITIER RA | 07BO1018 |
| 106 | PIGNON RA PET 82 22DTS | 08P545L22 |
| | PIGNON RA PET 90 20DTS | 08P545S20 |
| | PIGNON RA PET 100 20DTS | 08P545S20 |
| 108 | SUPPORT PIGNON FOU | 54TRZ430 |
| 117 | PIGNON FOU | 08P555S |
| 118 | BAGUE METAFRAM | 07BC253032 |
| 122 | PIGNON TRANCANNAGE | 08P550S |
| 126 | CHAINE TRANCANNAGE (AU METRE) | 08C15D |
| 128 | DOIGT TRANCANNAGE | 10TO556S |
| 129 | VIS BTR | 08VBT05060 |
| 131 | CHAINE RA (AU METRE) | 08C15 |
| 132 | ATTACHE RAPIDE | 08MR15 |
| 133 | PIGNON TENDEUR | 08PT10 |
| 138 | FOURCHETTE TRANCANNAGE TRB | 10DI400B |
| | FOURCHETTE TRANCANNAGE TRG PET100 | 10DI400G |
| 139 | ENTRETOISE PET 82-90 NM | 54TRB470 |
| 140 | PLATINE ENTRETOISE PET 82-90 | 10DI407B |
| | PLATINE ENTRETOISE PET 100 | 10DI407S |
| 143 | COUDE BOBINE PET 82 | 54TRB250082 |
| | COUDE BOBINE PET 90 | 54TRB250090 |
| | COUDE BOBINE PET 100 | 54TRG250100 |
| 154 | COMPTE-TOURS | 07CT500H |
| 158 | COUDE UNION | 07FMG098020 |
| 159 | VANNE A BOISSEAU | 07VAB020 |
| 160 | MAMELON | 07FMG280020 |
| 161 | REGULATEUR | 07REG20 |
| 162 | REDUCTION | 07REDP2620 |
| 164 | FILTRE | 07FIL |
| 165 | VANNE VOLUMETRIQUE | 07VAV1106 |
| 166 | COUDE FF 1" | 07FMG090026 |
| 167 | RACCORD CANNELE | 07RAMR26 |
| 170 | SUPPORT ARROSEUR | 10TRZ880 |
| 171 | ARROSEUR | 0CAZK30W |
| 178 | CAPOT PROTECTION | 07CA014B |
| 182 | PETALE TRB | 10LA218B |
| | PETALE TRG | 10LA218G |

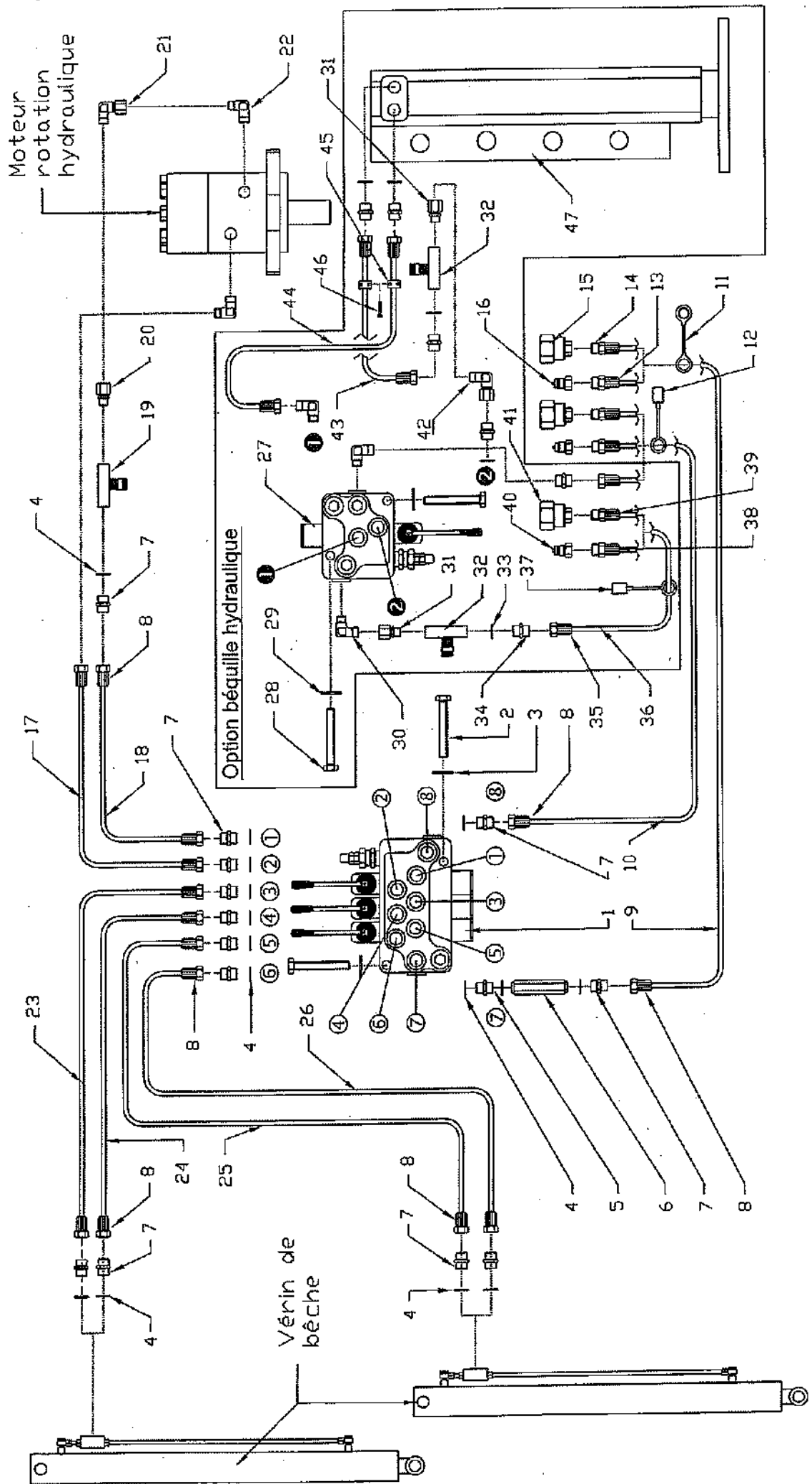
PLANCHE 4



PEROMAT SERIE TRB-G

| REPERE | DESIGNATION | REFERENCE |
|-----------|---|--------------|
| PLANCHE 4 | | |
| 1 | CORPS DE TURBINE | 10OX310B |
| 2 | JOINT | 07JOK308B |
| 3 | MOYEU | 10TO302B |
| 6 | GULLIVER | 07JOGY25 |
| 7 | CONTREFACE | 07JOGCN25 |
| 8 | ROULEMENT | 07RL6205RS |
| 10 | ARBRE DE TURBINE | 10TO301B |
| 11 | ROULEMENT | 07RL6205RS |
| 12 | CIRCLIPS | 0BCII52 |
| 13 | ROUE A AUBE | 10TRB340 |
| 16 | JOINT COUVERCLE | 07JT335B |
| 17 | COUVERCLE | 10OX330B |
| 19 | JOINT DEFLECTEUR | 07JTO16 |
| 20 | DEFLECTEUR | 10TO305Z |
| 21 | COMMANDE DEFLECTEUR | 54TRZ350 |
| 22 | MOYEU | 10DI355Z |
| 29 | LEVIER | 10DI360X |
| 30 | CHAPE | 0BCH12BL |
| 43 | COUDE 2" | 07FMG092050 |
| 44 | VANNE A BOISSEAU 2" | 07VAB050 |
| 45 | MAMELON 2" LG=250 | 07MM50250 |
| 46 | COLLIER | 07CO068 |
| 47 | TUBE D60 (AU METRE) | 07TH060 |
| 48 | JOINT | 07JOK0802 |
| 49 | INJECTEUR TURBINE : PRECISER LE DIAMETRE A LA SUITE DE LA REFERENCE 10TRZ309,, | 10TRZ309,, |
| 50 | COLONNE BASSE | 54TRB380 |
| 53 | JOINT | 07JOK0653 |
| 54 | ENTRETOISE | 10TRB395 |
| 55 | JONCTION BERCEAU | 54TRB385 |
| 56 | JOINT BERCEAU | 07JOUN76 |
| 59 | VANNE A BOISSEAU | 07VAB020 |
| 60 | HAUT DE COLONNE STANDART TRB | 54TRB370 |
| | HAUT DE COLONNE STANDART TRG | 54TRG370 |
| 64+65 | HAUT DE COLONNE TRG POUR ARRET ELECTR, | 54TRG370CR6S |
| 63 | JOINT UN | 07JOUN60 |
| 66 | VANNE ELECTRIQUE | 07VAN |
| 72 | BRIDE ARRET DEPRES,ELECTR, | 54BRT080 |
| 73 | COUDE | 07FMG092066 |
| 76 | RALENTISSEUR DORMA | 07RA105 |
| 80 | RESSORT RALENTISSEUR | 0DRETS59 |
| | RESSORT RALENTISSEUR BKS | 07RA1050 |
| 81 | LEVIER | 10LA035Z |
| 85 | LEVIER | 10TRB030 |
| 88 | VANNE PAPILLON | 07VA065R |
| 91 | LOQUET SURPRESSION | 10TRB070 |
| 92 | CURSEUR | 54TRZ085 |
| 95 | BUTEE | 54TRZ095 |
| 97 | VANNE A BOISSEAU | 07VAB066S |
| 98 | COUDE | 07FMG092066 |
| 100 | VERIN DEPRESSION | 07VE80 |
| 103 | ROTULE VERIN | 0BRTD10F8 |
| 104 | LEVIER DE VANNE | 10TRZ025 |
| 109 | LOQUET DEPRESSION | 10TRZ090,A |
| 112 | BUTEE | 54TRZ060 |
| 115 | POUTRE REGULATION ELECTR, | 07CR6MOT |
| 116 | LEVIER | 10LACR6002,D |
| 117 | ENTRETOISE | 10TO6056 |
| 123 | PATTE FIXATION | 10LACR6003 |
| 131 | GALET | 07CR6GAL |
| 135 | COULISSEAU | 10TRZ620 |
| 140 | PRESSOSTAT | 07PRE |

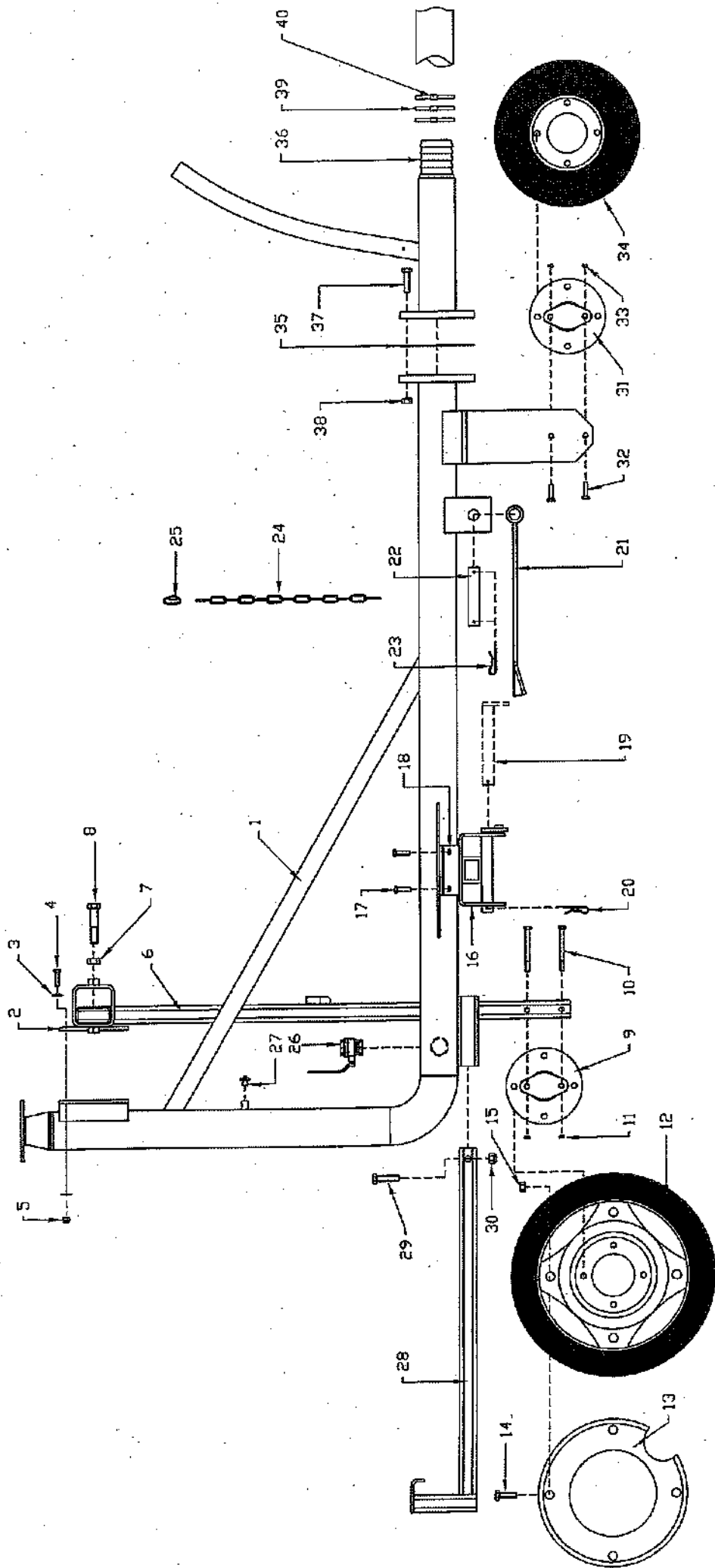
PLANCHE 5



PEROMAT SERIE TRB-G

| REPERE | DESIGNATION | REFERENCE |
|------------------|------------------------------------|-------------|
| PLANCHE 5 | | |
| 1 | DISTRIBUTEUR 3 TIROIRS | 07DIH3T |
| 4 | JOINT METALLO | 07JOCU17 |
| 6 | CLAPET ANTI-RETOUR | 07CLH38 |
| 7 | RACCORD UNION MALE | 07RAH41312 |
| 9 | FLEXIBLE HYDRAULIQUE | 07FX50/7000 |
| 10 | FLEXIBLE HYDRAULIQUE | 07FX50/6000 |
| 15 | VALVE A VISSER ARELCO | 07VAL8 |
| 16 | COUPLER MALE | 07CMC12 |
| 17 | FLEXIBLE HYDRAULIQUE | 07FX10/1500 |
| 18 | FLEXIBLE HYDRAULIQUE | 07FX10/1500 |
| 19 | LIMITEUR DE DEBIT | 07LIH38B |
| 20 | RACCORD DROIT | 07RAH51312 |
| 21 | RACCORD COUDE | 07RAH2713 |
| 22 | RACCORD COUDE | 07RAH81312 |
| 23 | FLEXIBLE HYDRAULIQUE | 07FX10/1700 |
| 24 | FLEXIBLE HYDRAULIQUE | 07FX10/1700 |
| 25 | FLEXIBLE HYDRAULIQUE | 07FX10/3500 |
| 26 | FLEXIBLE HYDRAULIQUE | 07FX10/3500 |
| 27 | DISTRIBUTEUR 1 TIROIR | 07DIH1T |
| 30 | RACCORD COUDE | 07RAH81312 |
| 31 | RACCORD DROIT | 07RAH51312 |
| 32 | LIMITEUR DE DEBIT | 07LIH38B |
| 33 | JOINT METALLO | 07JOCU17 |
| 34 | RACCORD HYDRAULIQUE | 07RAH41312 |
| 36 | FLEXIBLE HYDRAULIQUE | 07FX50/2000 |
| 40 | COUPLER MALE | 07CMC12 |
| 41 | VALVE A VISSER ARELCO | 07VAL8 |
| 43 | FLEXIBLE HYDRAULIQUE | 07FX10/1400 |
| 44 | FLEXIBLE HYDRAULIQUE | 07FX10/1400 |
| 45 | PONTET | 07POT0813 |
| 47 | BEQUILLE HYDRAULIQUE TR40 CARRE 80 | 06BE025 |
| | VERIN BECHE AVEC CLAPET | 07VEH3055CP |
| | MOTEUR HYDRAULIQUE | 07MH200 |

PLANCHE 6



PEROMAT SERIE TRB-G

| REPERE | DESIGNATION | REFERENCE |
|------------------|---------------------------------------|---------------|
| PLANCHE 6 | | |
| 1 | PERCHE DE CHARIOT | 54TRB940G |
| 2 | POUTRE DE JAMBAGE | 54TRB910G |
| 3 | RONDELLE | 0BRPZ12 |
| 4 | VIS M12x40 | 0B080112040 |
| 5 | ECROU FREIN | 0BFZ12 |
| 6 | JAMBAGE | 54TRB920G |
| 7 | ECROU | 0BEZ16 |
| 8 | VIS M16x100 | 0B080116100EF |
| 9 | DEMI-ESSIEU | 06ES354G |
| 10 | VIS M12x120 | 0B080112120 |
| 11 | ECROU | 0BEZ12 |
| 12 | ROUE DE JAMBAGE | 07RO17514 |
| 13 | MASSE DE ROUE | 07MA |
| 14 | VIS M16x50 | 0B080116050 |
| 15 | ECROU FREIN | 0BFZ16 |
| 16 | CAVALIER DE RELEVAGE | AVEC PERCHE |
| 19 | CHEVILLE VERROUILLAGE | 54TR406165 |
| 20 | GOUPILLE BETA | 0BGB05 |
| 21 | SOC | 54TRB905 |
| 22 | AXE DE SOC | 10TOTR406160 |
| 23 | GOUPILLE BETA | 0BGB05 |
| 24 | CHAINE DROITE | 07CH326 |
| 25 | MAILLON RAPIDE | 07MR35 |
| 26 | VANNE A BOISSEAU | 07VAB040 |
| 27 | BOUCHON 1/4 | 07FMG290008 |
| 28 | BARRE ATTELAGE | 54TR406075 |
| 29 | VIS M16x70 | 0B080116070 |
| 30 | ECROU FREIN | 0BFZ16 |
| 31 | DEMI-ESSIEU | 06ES354G |
| 32 | VIS M12x35 | 0B080112035 |
| 33 | ECROU | 0BEZ12 |
| 34 | ROUE 400x8 | 07RO004008 |
| 35 | JOINT KLINGERIT | 07JOK0802 |
| 36 | BUTEE FIN DE COURSE PET 75 | 54TRB970075 |
| | BUTEE FIN DE COURSE PET 82 | 54TRB970082 |
| | BUTEE FIN DE COURSE PET 90 | 54TRB970090 |
| | BUTEE FIN DE COURSE PET 100 | 54TRG970100 |
| 37 | VIS M16x60 | 0B080116060 |
| 38 | ECROU | 0BEZ16 |
| 39 | FEUILLARD INOX (PAR ROULEAU DE 50 M.) | 07FI015 |

(

(

(

(